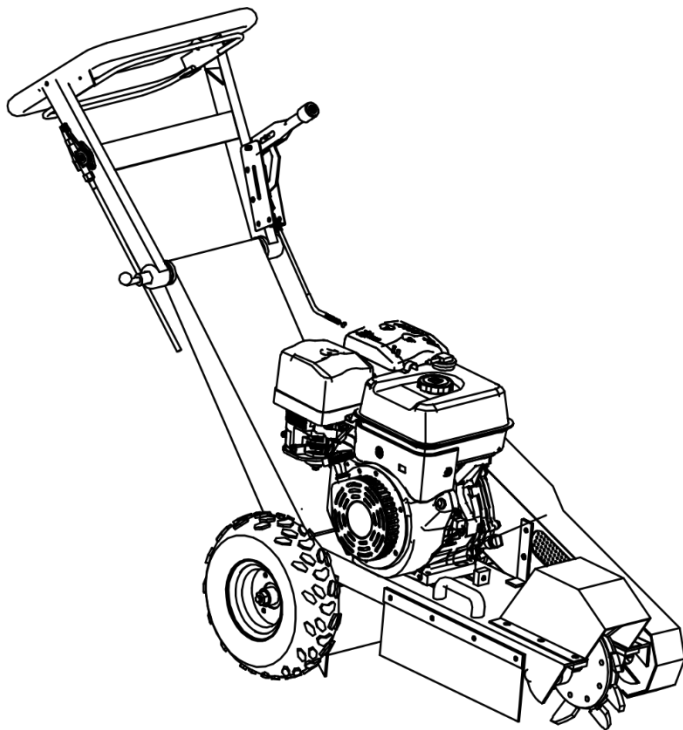


COBRA

MODEL: SG15L (DR-SG-15)

COBRA PETROL STUMP GRINDER OWNER'S MANUAL



IMPORTANT

Read safety rules and instructions carefully before operating equipment.

Cobra Garden Machinery

Henton and Chattell Ltd., London Road, Nottingham NG2 3HW UK

www.cobragarden.co.uk

Table of Contents

| | |
|---|----|
| PART I: General Safety Rules | 03 |
| PART II: Familiar with the Stump Grinder..... | 07 |
| PART III: Install the Stump Grinder..... | 08 |
| PART IV: Operating the Stump Grinder..... | 11 |
| PART V: Maintaining the Stump Grinder..... | 15 |
| PART VI: Troubleshooting and Parts List..... | 16 |

Conventions used in this manual



WARNING

This indicates a hazardous situation, which, if not avoided, could result in death or serious injury.



CAUTION

This indicates a hazardous situation, which, if not avoided, could result in minor or moderate injury.



NOTICE

This information is important in proper using of your machine. Failure to follow this instruction could result in damage to your machine or property.

Additional Information and Potential Changes

We reserve the right to discontinue, change, and improve its products at any time without notice or obligation to the purchaser. The descriptions and specifications contained in this manual were in effect at printing. Equipment described within this manual may be optional. Some illustrations may not be applicable to your machine.

WARNING

Read this Safety & Operating Instructions manual before you use the Stump Grinder. Become familiar with the operation and service recommendations to ensure the best performance of your machine.

Propose

CAUTION

This machine is designed solely to grind stumps and must not be used for any other purpose. It should only be used by trained operators who are familiar with the content of this manual. It is potentially hazardous to fit or use any parts other than your dealer parts. The company disclaims all liability for the consequences of such use, which in addition voids the machine warranty.

Before using the stump grinder

NOTICE

- A. Operators must be fully trained before using this machine.
 - B. User Manual is read and understood.
 - C. Machine is positioned on level ground, all guards are fitted and in good condition.
 - D. Teeth are in good condition and secure.
 - E. All fasteners are checked for tightness.
 - F. Only stumps are removed with this machine.
 - G. Emergency stop wire is correctly connected and the switch is functional.
 - H. Fire extinguisher is available on site.
-

When using the stump grinder

NOTICE

- A. Always stay clear of the rotating cutter wheel.
 - B. It is better to have a second trained operator within easy reach of the machine.
 - C. Always maintain strict discipline and service machine at specified periods.
 - D. DO NOT grind stumps with tow bar installed where supplied.
 - E. DO NOT put any part of your body near the cutter while the machine is running.
 - F. DO NOT operate the machine while under the influence of alcohol or drugs.
 - G. DO NOT operate inside a building or confined space.
-

Protecting Yourself and Those Around You

WARNING

This is a powerful machine, with moving parts operating with high energy. You must operate the machine safely. Unsafe operation can create a number of hazards for you, as well as anyone else in the nearby area. Always take the following precautions when using this machine:

- A. Keep in mind that the operator or user is responsible for accidents or hazards occurring to other people, their property, and themselves.
 - B. Always wear protective goggles or safety glasses with side shields while using the Stump Grinder to protect your eyes from possible thrown debris.
 - C. Avoid wearing loose clothing or jewellery, which can catch on moving parts.
 - D. We recommend wearing gloves while using the Stump Grinder. Be sure your gloves fit properly and do not have loose cuffs or drawstrings.
 - E. Wear shoes with non-slip treads when using your Stump Grinder. Safety shoes are recommended to wear. Do not use the machine with inadequate protective eye, clothing and footwear.
 - F. Wear long trousers while operating the Stump Grinder.
 - G. Keep bystanders at least 15m away from your work area at all times. Stop the engine when another person or pet approaches.
-

Safety for Children and Pets

WARNING

Tragic accidents can occur if the operator is not alert to the presence of children and pets. Children are often attracted to the machine and the chipping activity. Never assume that children will remain where you last saw them. Always follow these precautions:

- A. Keep children and pets at least 15m from the working area and ensure they are under the watchful care of a responsible adult.
 - B. Be alert and turn the machine off if children or pets enter the work area.
 - C. Never allow children to operate the stump grinder.
-

Safety with Petrol - Powered Machines

WARNING

Petrol is a highly flammable liquid. Petrol also gives off flammable vapor that can be easily ignited and cause a fire or explosion. Never overlook the hazards of petrol. Always follow these precautions:

- A. Never run the engine in an enclosed area or without proper ventilation as the exhaust from the engine contains carbon monoxide, which is an odorless, tasteless, and a deadly poisonous gas.
 - B. Store all fuel and oil in containers specifically designed and approved for this purpose and keep away from heat and open flame, and out of the reach of children.
 - C. Replace rubber fuel lines and grommets when worn or damaged and after 5 years of use.
-

- D. Fill the petrol tank outdoors with the engine off and allow the engine to cool completely. Don't handle petrol if you or anyone nearby is smoking, or if you're near anything that could cause it to ignite or explode. Reinstall the fuel tank cap and fuel container cap securely.
 - E. If you spill petrol, do not attempt to start the engine. Move the machine away from the area of the spill and avoid creating any source of ignition until the gas vapors have dissipated. Wipe up any spilled fuel to prevent a fire hazard and properly dispose of the waste.
 - F. Allow the engine to cool completely before storing in any enclosure. Never store a machine that has petrol in the tank, or a fuel container, near an open flame or spark such as a water heater, space heater, clothes dryer or furnace.
 - G. Never make adjustments or repairs with the engine running. Shut down the engine, disconnect the spark plug wire, keeping it away from the spark plug to prevent accidental starting, wait 5 minutes before making adjustments or repairs.
 - H. Never tamper with the engine's governor setting. The governor controls the maximum safe operation speed and protects the engine. Over-speeding the engine is dangerous and will cause damage to the engine and to the other moving parts of the machine. If required, see your authorized dealer for engine governor adjustments.
 - I. Keep combustible substances away from the engine when it is hot.
 - J. Never cover the machine while the muffler is still hot.
 - K. Do not operate the engine with the air cleaner or the carburetor air intake cover removed. Removal of such parts could create a fire hazard. Do not use flammable solutions to clean the air filter.
 - L. The muffler and engine become very hot and can cause a severe burn; do not touch.
-

General Safety

WARNING

Operating this Stump Grinder safely is necessary to prevent or minimize the risk of death or serious injury. Unsafe operation can create a number of hazards for you. Always take the following precautions when operating:

- A. Your machine is a powerful tool, use with great care. Exercise extreme caution at all times. The machine is designed to grind stumps. Do not use it for any other purpose.
 - B. Know how to stop the Stump Grinder quickly.
 - C. Never operate your unit on a slippery, wet, muddy, or icy surface. Exercise caution to avoid slipping or falling.
 - D. See manufacturer's instructions for proper operation and installation of accessories.
 - E. Never use the machine without ensuring that all guards and shields are in place.
 - F. Never, under any conditions, remove, bend, cut, fit, weld, or otherwise alter standard parts on the Stump Grinder. This includes all shields and guards. Modifications to your machine could cause personal injuries and property damage and will invalidate your warranty.
 - G. If the machine start to make an unusual noise or vibrate, shut down the engine, disconnect the spark plug wire, keeping it away from the spark plug to prevent accidental starting, wait 5 minutes for engine to cool down, then inspect for damage. Vibration is generally a warning of trouble. Check damaged parts and clean, repair and/or replace as necessary.
 - H. Never tamper with safety devices. Check their proper operation regularly.
 - I. Before performing any maintenance or inspection procedure, shut down the engine, disconnect
-

the spark plug wire keeping it away from the spark plug to prevent accidental starting, wait 5 minutes for machine to cool down.

- J. Never allow people who are unfamiliar with these instructions to use the machine. Allow only responsible individuals who are familiar with these rules of safe operation to use your machine.
 - K. Never overload or attempt to chip woods beyond the manufacturer's recommendation. It could result in personal injury or damage to the machine.
 - L. While using, don't hurry or take things for granted. When in doubt about the equipment or your surroundings stop the machine and take time to look things over.
 - M. Never operate the machine when under the influence of alcohol, drugs, or medication.
 - N. Use the machine only in daylight.
 - O. Stay alert for hidden hazards or traffic.
 - P. Keep all nuts and bolts tight and keep the equipment in good operating condition.
 - Q. **ALLWAYS** take the brake off before moving or towing.
-

A Note to All Users

List of warnings and cautions cannot be all-inclusive. If situations occur that are not covered by this manual, the operator must apply common sense and operate this Stump Grinder in a safe manner. Contact the dealers for assistance in your area.

PART II: Familiar with the Stump Grinder

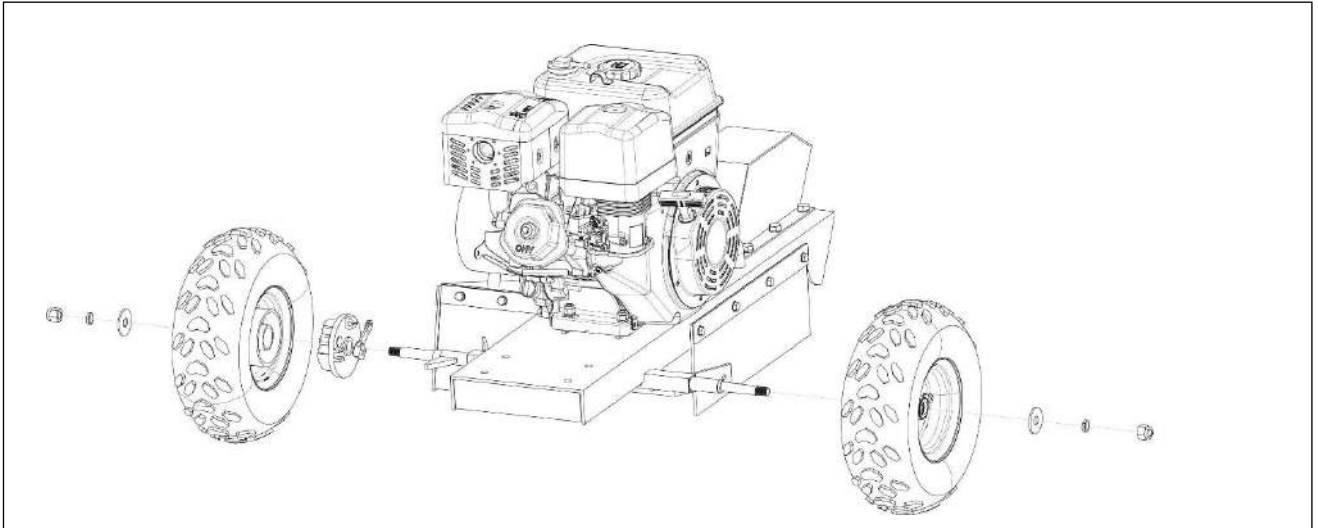
It may be helpful to familiarize yourself with the controls and features of the Stump Grinder. If you have any question, please contact the dealers in your area.

TECHNICAL SPECIFICATIONS

| | |
|---------------|--|
| Engine | 15hp Four Stroke |
| Brake | Drum Brake |
| Belt | 2PCS V-Belt |
| Clutch | Centrifugal Clutch |
| Blades | 9 Blades w Tungsten (3 x left,3 x right, 3 x middle) |
| Cutting Depth | 12inch |
| Packing Size | 1040*780*580mm |
| Gross Weight | 130kgs |

PART III: Assemble the Stump Grinder

1. Fitting the wheels and drum brake



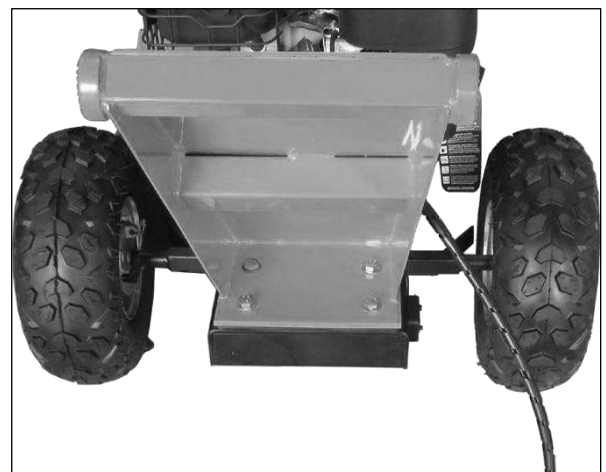
Fit the drum brake and wheel assemblies as shown above.

1. Fit the drum brake assembly to the left side axle.
2. Install the brake cable as shown opposite.
Adjust the tension on the cable ensure the brake operates correctly.
3. Fit the wheel with the drum housing to the left side.
4. Fit the other wheel to the right axle as shown.
5. Secure with the flat washer, spring washer and the nut on each side.

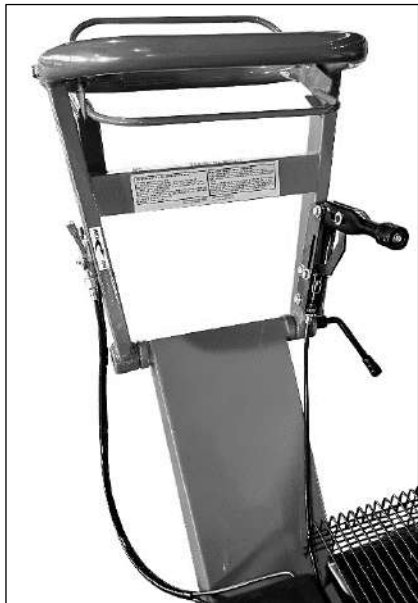


2. Installation of the lower handrail

Fit the lower handle section with the flat washer, spring washer and nut as shown opposite.

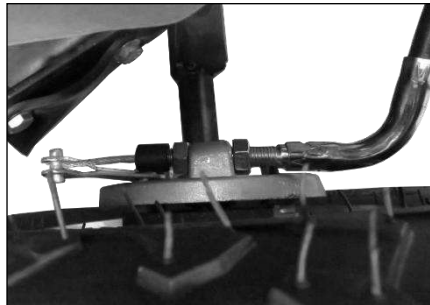
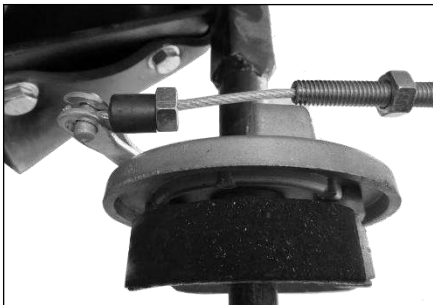


3. Fit the upper handle



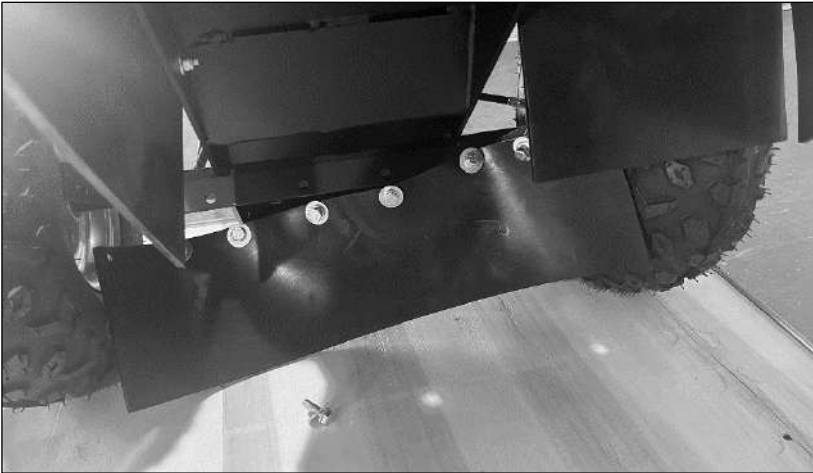
Fit the upper handle section with the ratchet fixing bolt and the handle bar lock lever as shown above.

4. Adjustment of the drum brake cable



1. Install brake cable. Remove front jam nut and insert cable stop into brake lever.
 2. Once inserted, pull cable back and insert into cable mount. Thread outer nut back on leaving about 15mm of thread showing. Using 13mm spanner to tighten both jam nuts.
 3. Adjustment can be done with the knob on the end of the brake handle. Turning the knob clockwise will increase tension. Counter-clockwise will release the tension.
 4. Always check the brake operates as expected before use.
-

5. Fitting the rear rubber guard

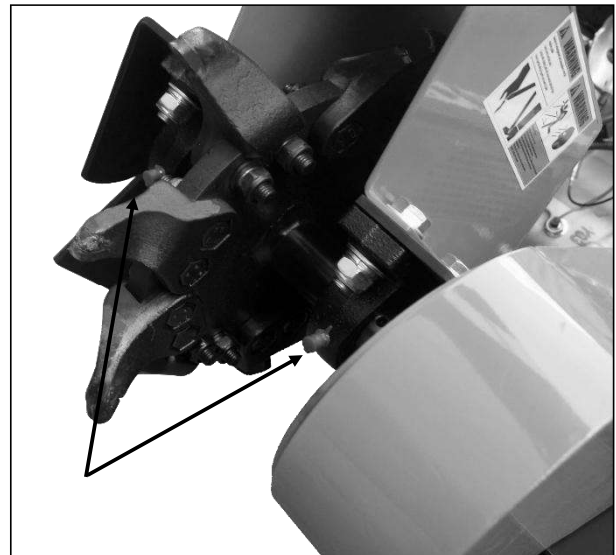


Fit the rear rubber guard as shown opposite, using the washer, spring washer and nut as shown opposite.

6. Apply lubricating grease to the bearings

Lubricate the main bearings as indicated opposite before each use.

This is essential regular maintenance.



NOTICE

7. Add engine oil and petrol before starting

The stump grinder is shipped without engine oil in the engine, add oil as explained in the engine manual.

Always check the engine oil before operating the stump grinder.

Fill the engine fuel tank with fresh petrol. Never use stale or old fuel as this will cause carburetor issues, such as difficulties starting and correct engine performance.

PART IV: Operating the Stump Grinder

Familiarise yourself with the features of your Stump Grinder before beginning the steps outlined in this chapter.

WARNING

- A. Read and understand all instructions, safety precautions, and/or warnings listed in “PART I: General Safety Rules” before operating the Stump Grinder. If any doubt or question arises about the correct or safe method of performing anything found in this manual, please contact the dealer in your area.
- B. When operating the Stump Grinder, make sure you are standing in the safe operating area (OPERATOR ZONE). You must stay in the safe operating area at all times when the machine is in motion (whether extending or retracting). Never place any part of your body into a position that causes an unsafe operating condition.
- C. Before loading and operating the Stump Grinder, always wear protective gear, including safety goggles, hearing protection, tight-fitting gloves without draw strings or loose cuffs, and steel-toed shoes.
- D. Never use an incorrect or unsafe method of operation.

1. Starting

1. Position your Stump Grinder on flat, dry ground.
2. Put the brake on making sure the brake pin and wheel is engaged and locked.
3. Make sure the fuel shut-off valve is in the “ON” position.
4. Move the choke control lever to the “CHOKE” position (should only be needed if the engine is cold).
5. Move the throttle control lever to the “MID” position.
6. Adjust your bow handle to the desired position.
7. Depress safety shut off bail on the bow handle.
8. Raise the cutter teeth off the ground and start the engine. This is a direct drive unit and the cutter wheel will rotate during starting.
9. Recoil Start: Turn the Ignition Switch to the “On” position. Grasp the recoil starter handle and slowly pull until you feel resistance. Let the cord retract a little bit then pull the cord rapidly to start the engine. One or two pulls usually starts the engine.
10. Move the choke control lever (if used for cold engine) slowly back to the “RUN” position when the engine is running well.
11. Increase engine speed to FULL SPEED RPM.

2. Stopping

Always test the stopping procedure before operating the stump grinder.

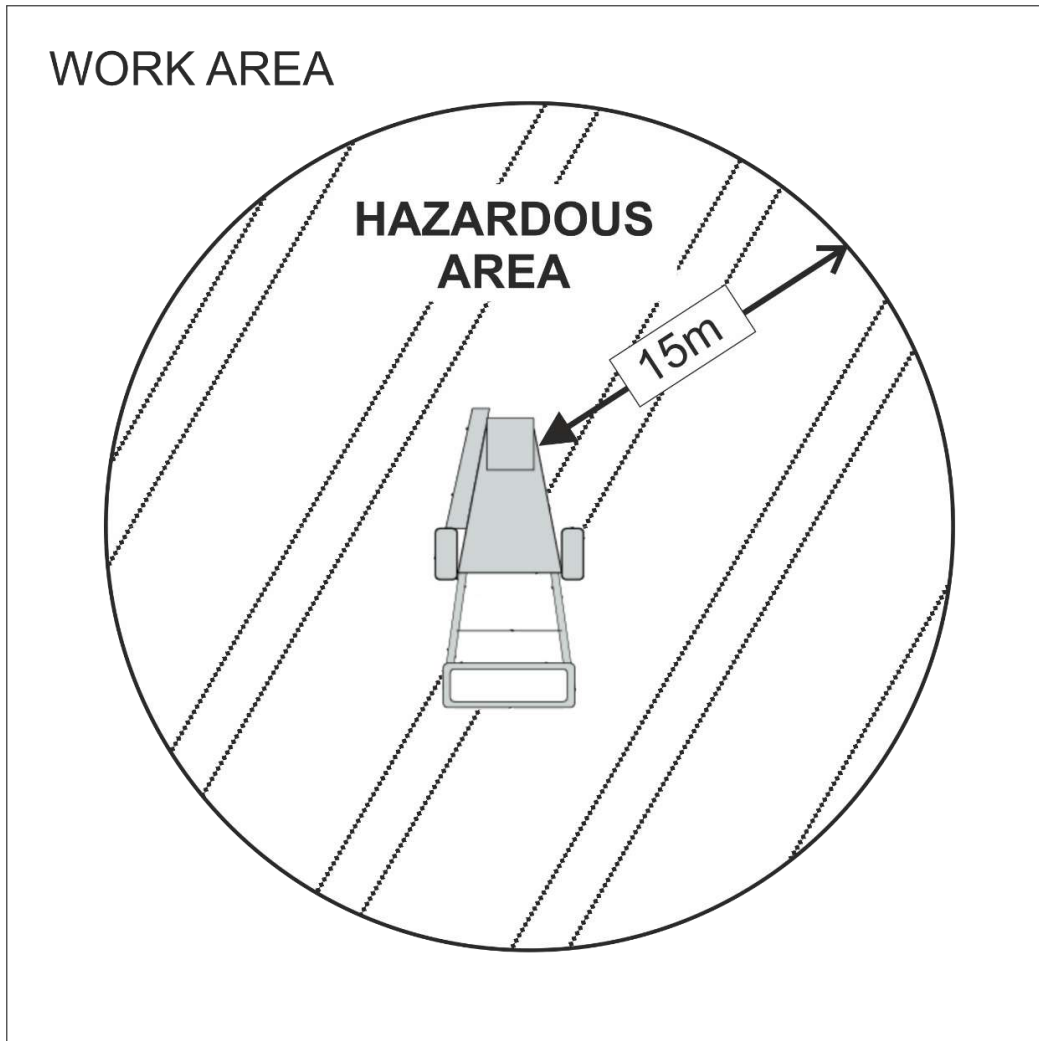
Never leave the stump grinder unattended with the engine running.

1. Let go of the bail shut off on the bow handle

OR

2. Recoil Start: Slide the throttle lever to the LEFT to shut engine off.
-

3. Operator Zone



The operator should remain behind the Stump Grinder when working. Keep all others a safe distance of at least 15m from the machine.

⚠ WARNING

Clear the area around the stump. Remove all rocks, stones and potential debris from the working area.

⚠ WARNING

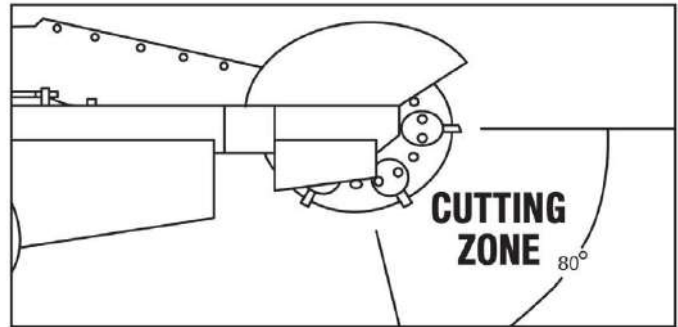
Do not place your feet and hands into the cutting wheel area. This is a very UNSAFE and could result in injury or death. Never allow yourself or others to reach or step to the side or the front of the Stump Grinder when it is running. This is a very UNSAFE method which could cause personal injury or even death.

Vibration

If the unit starts to vibrate abnormally shut the unit down. Inspect for missing or broken teeth and replace if required. Check your teeth bolts that are tight. Check your drive belts.

1. Removing Stumps

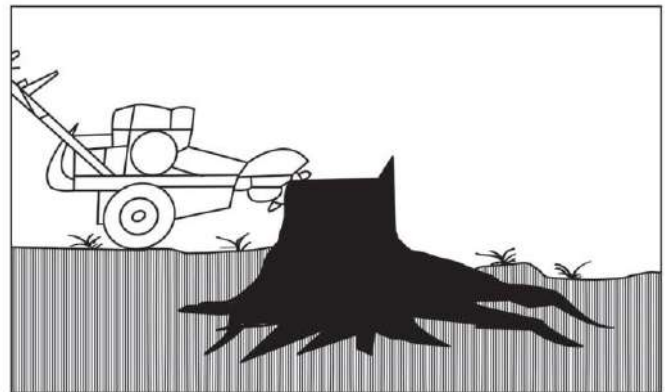
1. Remove all loose pieces of wood, stones, wire and other debris from the area before beginning stump removal.
2. Wind direction should be considered, as it influences the direction in which dust and wood chips are directed.
3. Never operate the stump grinder after dark. There will not be adequate light to operate the stump grinder safely.
4. Always allow a cold engine to warm up before cutting a stump.
5. Only the portion of cutting wheel within the 80 degree area shown below should engage the stump. Never undercut the stump or use the bottom of the cutting wheel for cutting purposes.



2. Prepare the Grinder at the Stump

Place the stump grinder into position with the cutting wheel near the top edge of the stump.

Engage the brake.



5. Removing Roots

1. Make sure the throttle is set to FAST. The cutter wheel will accelerate to cutting speed.

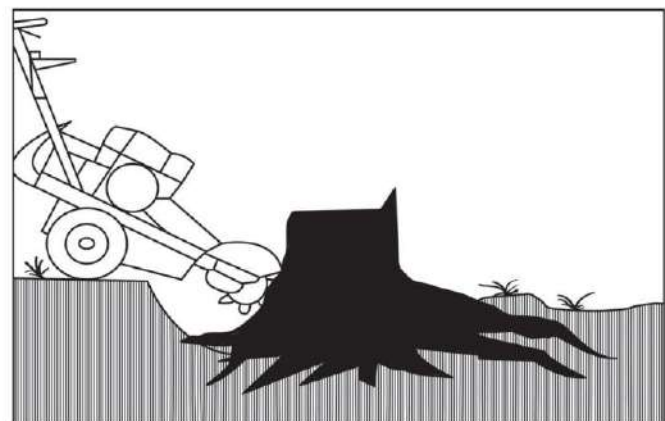
2. Swing the cutting wheel to one side, then lower it into the nearest roots that are buried at the foot of the stump.

3. Swing the cutting wheel before each sweep, until the roots are sufficiently removed

4. Raise the cutting wheel until the centre of the cutting wheel is just above the top of the stump.

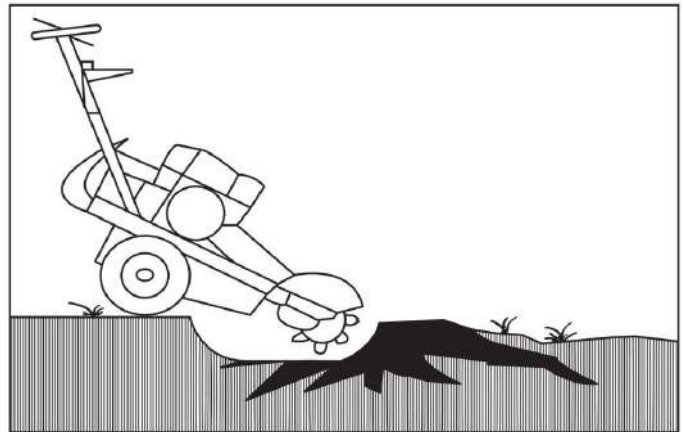
5. Allow the cutting wheel to stop, release the brake and reposition the machine.

6. Lock the brake again.



6. Cutting the Full Stump

1. Make sure the throttle is set to FAST. The cutter wheel will accelerate to cutting speed.
2. Direct the cutting wheel against the stump, beginning with the nearest top corner of the stump.
3. Steadily sweep it across the stump left and right, cutting away 1/2 inch of wood with each sweep.
4. Raise and lower the cutting wheel between sweeps by lowering and raising the control handle.



5. Roll the machine forward and back by pushing and pulling on the control handle. Re-lock it when the machine has been repositioned and continue cutting.

7. Continue with Final Root Removal

Cut the remaining roots until all roots are removed.

PART V: Maintaining the Stump Grinder

Regular maintenance is the way to ensure the best performance and long life of your machine. Please refer to this manual and the engine manufacturer's user manual for maintenance procedures.

WARNING

Before performing any maintenance procedure or inspection, stop the engine, wait five minutes to allow all parts to cool. Disconnect the spark plug wire, keeping it away from the spark plug.

1. Regular Maintenance Checklist

| Procedure | Before Each Use | Every 3 Hours | Every 25 Hours | Every 100 Hours |
|-----------------------------------|--------------------|---------------|----------------|-----------------|
| Check engine oil level | Δ | | | |
| Check general equipment condition | Δ | | | |
| Check teeth and bolts | Δ | | | |
| Check belts | Δ | | | |
| Check tire pressure | | | Δ | |
| Clean engine exterior and cooling | | | Δ | |
| Change Engine Oil | First time 5 hours | | Δ | |
| Replace air filter | | | Δ | |
| Replace spark plug | | | | Δ |

2. Engine Service

Refer to the engine manufacturer's user manual for engine maintenance.

3. Lubrication of bearings

NOTICE

Grease points are installed. Grease the main cutting axle bearing before each use.

4. Transportation

The stump grinder is designed to be transported via a van or small trailer. The machine is equipped with grab bars that are to be used for both lifting the machine, and strapping it down. This machine weighs approximately 110kg and should only be lifted using correct apparatus or an adequate number of people working as a team. Ensure fuel and oil caps are secure and cannot leak.

PART VI: Troubleshooting Guide

WARNING

Before performing any maintenance procedure or inspection, stop the engine, wait five minutes to allow all parts to cool. Disconnect the spark plug wire, keeping it away from the spark plug.

| Symptom | Possible Cause |
|---|---|
| <p>The engine won't start.</p> <p>(Please refer to the engine user manual for engine-specific procedures.)</p> | <p>Check the SAFETY BAR HELD DOWN to engage the safety cut-off switch. Check the fuel shut-off valve is ON</p> <p>Always use fresh, clean petrol. If the petrol is old, change it. Use a fuel stabilizer if you keep petrol longer than 30 days.</p> <p>Check the spark plug is clean. If the spark plug is dirty or cracked, change it. If it's oily, leave it out, hold a rag over the plug hole and pull the recoil cord several times to blow out any oil in the cylinder, then wipe off the plug and reinsert it.</p> |
| <p>The engine lacks power or is not running smoothly.</p> <p>(Please refer to the engine user manual for engine-specific procedures.)</p> | <p>Check that the Throttle Lever is in the "FAST" position. TURN OFF THE CHOKE</p> <p>Check the air filter is clean. If it's dirty, change it following the procedure in the engine manufacturer's owner's manual.</p> <p>Is the spark plug clean? If it's fouled or cracked, change it. If it's oily, leave it out, hold a rag over the plug hole and pull your recoil cord several times to blow out any oil in the cylinder, then wipe off the plug and reinsert it.</p> <p>Are you using fresh, clean unleaded petrol? If it's old, change it. Use a fuel stabilizer if you keep petrol longer than 30 days.</p> <p>Does your engine have the right amount of clean oil? If it's dirty, change it following the procedure in the engine manufacturer's owner's manual. Check the oil level and adjust as needed.</p> |
| <p>Engine smokes.</p> <p>(Please refer to the engine user manual for engine-specific procedures.)</p> | <p>Check the oil level and adjust as needed.</p> <p>Check the air filter and clean or replace if needed.</p> <p>You may be using the wrong oil—too light for the temperature. Refer to your Engine Owner's Manual for detailed information.</p> <p>Clean the cooling fins if they're dirty.</p> |
| <p>Machine does not seem to have full grinding power.</p> | <p>The belts may be too loose and slipping. Adjust or replace belts as needed.</p> |
| | <p>The teeth may be dull or broken, replace.</p> |

Run engine at full RPM when grinding.

Environmentally Friendly Disposal



According to EU directive 2012/19/EU on electric and electronic equipment and its implementation into national law, all electric tools must be separately collected and environmentally friendly recycled. Alternative disposal: If the owner of the power tool does not return the tool to the manufacturer, he is responsible for proper disposal at a designated collection point that prepares the device for recycling according to national recycling laws and regulations. This does not include accessories and tools without electric or electronic components.

Warranty

This product is warranted in accordance with legal regulations for a 24 month period effective from the date of purchase by the first user.

This product will not be covered if used in a commercial application.

This warranty covers all material or production failures, it does not include: defects from normal wear and tear, parts such as, bearings, brushes, cables, air cleaning elements, brake pad, clutch disc, tyre, wheel, recoil starter rope, belts, cutter blades, plugs, lubricant oils and grease or accessories. Damage or defects resulting from abuse, accidents or alterations, natural fading of painted or plated surfaces, sheet peeling and other natural deterioration.

Any damage that occurs from the use of non-genuine Cobra parts will not be covered.

We reserve the right to reject any claim where the purchase cannot be verified or when it is clear that the product was not maintained properly. (Clean ventilation slots, carbon brushes and serviced regularly)

Expenses incidental to the warranty claim that are not covered;

-Compensation for loss of time, commercial loss or rental costs of substitute product.

-Costs incurred for transportation to and from the dealership.

Any damage that occurs from the following will not be covered; exposure of the product to smoke and soot, chemical agents, bird droppings or other animal waste, seawater, sea breeze, salt or other environmental phenomena.

Any damage resulting from operating methods other than those indicated in the owner's manual will not be covered.


Your purchase receipt must be kept as proof for date of purchase. Your un-dismantled stump grinder must be returned to your dealer in an acceptably clean state, accompanied by your proof of purchase.

Please Register Your Stump Grinder

If your dealer did not collect registration information from you, please take a few minutes and register your purchase with Cobra. You can register by completing and mailing the registration card that should be in the box or by going online to:

www.cobragarden.co.uk and clicking on Product Registration.

EC-Declaration of Conformity

| EC Declaration of Conformity | |
|--|---|
| We herewith declare, | Cobra Garden Machinery Henton & Chattell Ltd, London Road, Nottingham NG2 3HW UK |
| That the following machine complies with the appropriate basic safety and health requirements of the EC Directive based on its design and type, as brought into circulation by us. | |
| In case of alteration of the machine, not agreed upon by us, this declaration will lose its validity | |
| Product | Petrol Powered Stump Grinder |
| Machine Type: | SG15L (DR-SG-15) |
| Rated power | 420cm ³ 9kW/3600min ⁻¹ |
| Measured sound power level: | 92.39dB(A) |
| Guaranteed sound power level: | 110dB(A) TÜV SÜD (China) Shanghai, No.151 Heng Tong Road, Shanghai 200 070, PRC |
| Applicable EC Directives: | 2006/42/EC 2014/30/EU 2016/1628/EC 2000/14/EC |
| Applicable Harmonized Standards: | EN ISO 12100:2010, BS EN ISO 14120:2015 EN13683:2003+A2:2011+AC:2015 EN ISO 14982:2009 |
| Authorized Signature/Date: |  8/1/2023 |
| Title of Signatory: | Managing Director |
| Name and address of the person authorised to compile the technical file | Cobra Garden Machinery Henton & Chattell Ltd, London Road, Nottingham NG2 3HW UK |